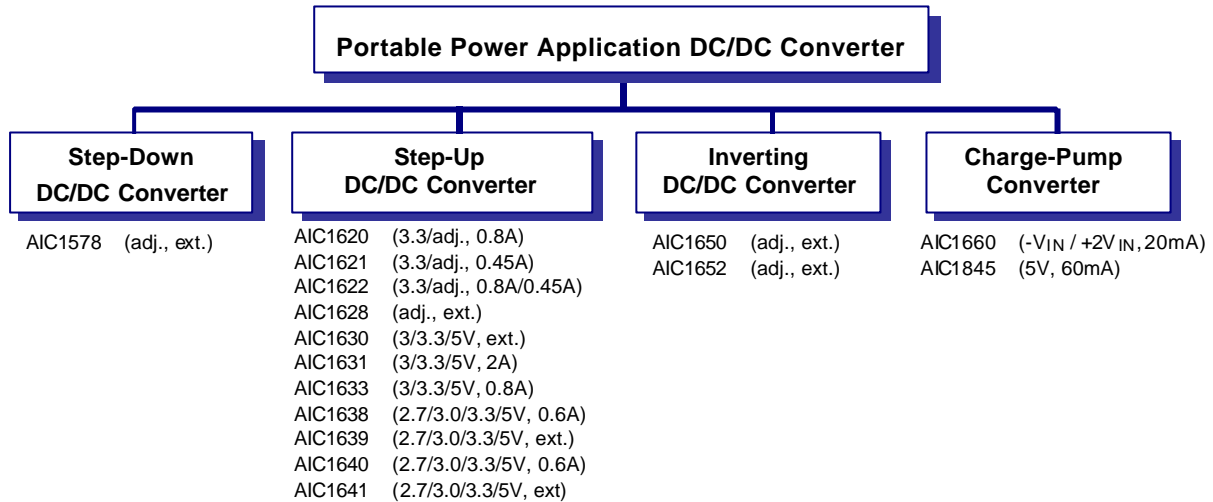


I. POWER CONVERSION

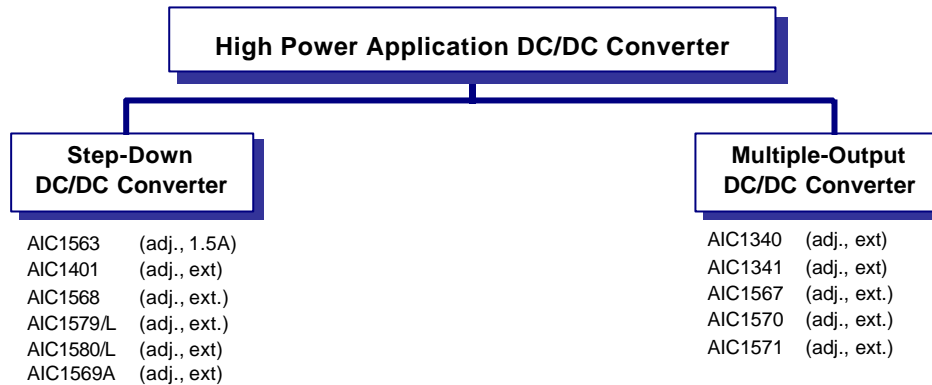
■ SWITCHING VOLTAGE REGULATOR



Part No.	Input Volt. Range (V)	Output Volt. (V)	Quiescent Current	Shutdown Current (mA)	Freq. (KHz)	Eff. (%) (max.)	Package	Feature
● Step Down DC/DC Converter								
AIC1578	4~20	adj.	90μA	8	90~280	95	SO8, DIP8	c, f, g
● Step-Up DC/DC Converter								
AIC1620	0.9~5.5	3.3/adj.	20μA	0.1	500	94	MSOP8	a, b, e, i
AIC1621	0.9~5.5	3.3/adj.	20μA	0.1	500	94	MSOP8	a, b, e, i
AIC1622	0.9~5.5	3.3/adj.	20μA	0.1	500	94	MSOP10	a, b, e, i
AIC1628	4~20	adj.	100μA	8	90~250	95	SO8, DIP8	c, e, g, h
AIC1630	1.8~7	3/3.3/5/adj.	105μA	7	120	85	SO8, DIP8	b, c
AIC1631	1.5~7	3/3.3/5/adj.	105μA	7	120	87	SO8, DIP8	a, b
AIC1633	1.8~7	3/3.3/5/adj.	105μA	7	120	87	SO8, DIP8	a, b
AIC1638	0.9~8	2.7/3.0/3.3/5.0	15μA	-	105	85	SOT89, TO92	a
AIC1639	0.9~8	2.7/3.0/3.3/5.0	15μA	-	105	85	SOT89, TO92	c
AIC1640	0.9~8	2.7/3.0/3.3/5.0	15μA	0.25	105	85	SO8, MSOP8	a
AIC1641	0.9~8	2.7/3.0/3.3/5.0	15μA	0.25	105	85	SO8, MSOP8	c
● Inverting DC/DC Converter								
AIC1650	4~20	adj.	100μA	8	100~320	90	SO8, DIP8	c, e, h
AIC1652	2.4~7	adj.	80μA	0.7	70~160	87	SO8, DIP8	c, e, h
● Charge-Pump Converter								
AIC1660	1.5~6	-V _{IN} or +2V _{IN}	36μA	-	10/50	98	SO8, DIP8	
AIC1845	2.7~5.0	5.0	-	0.01	700	83	SOT-23-6	

Features:

- | | | | |
|--------------------------|---------------------------------|-----------------------------|-------------------------|
| a: Internal Switch | b: On Chip Low Battery Detector | c: External Switch Driver | d: Frequency Adjustable |
| e: Current Limit | f: Duty Cycle Adjustable | g: Current Sense Comparator | h: Voltage Reference |
| i: Synchronous Rectifier | | | |



Part No.	Input Volt. Range (V)	Output Volt. (V)	Quiescent Current	Shutdown Current (mA)	Freq. (KHz)	Eff. (%) (max.)	Package	Feature
----------	-----------------------	------------------	-------------------	-----------------------	-------------	-----------------	---------	---------

● **Step-Down DC/DC Converter**

AIC1563	3~30	adj.	1.6mA	-	0.1~100	90	SO8, DIP8	a, c, d, e, f
AIC1401	7~15	adj.	2.0mA	10	200	-	SO8	c, e
AIC1568	7~15	2.0~3.5	2.0mA	-	200	-	SO16	c, e
AIC1579/L	7~15	adj.	2.0mA	-	200	-	SO8	c, e
AIC1580/L	7~15	adj.	2.0mA	10	200	-	SO8	c, e
AIC1569A	9~15	1.3~3.5	1.0mA	-	200	95	SO20	c, e, i

● **Multiple Output DC/DC Converter**

AIC1340	9~15	adj.	1.8mA	-	200	-	SO16	c, e, i
AIC1341	9~15	adj.	1.8mA	-	200	-	SO16	c, e, i
AIC1567	7~15	1.3~3.5	2.0mA	-	200	-	SO24	c, e, i
AIC1570	9~15	1.3~3.5	1.8mA	-	200	-	SO24	c, e, i
AIC1571	9~15	1.3~3.5	1.8mA	-	200	-	SO24	c, e, i

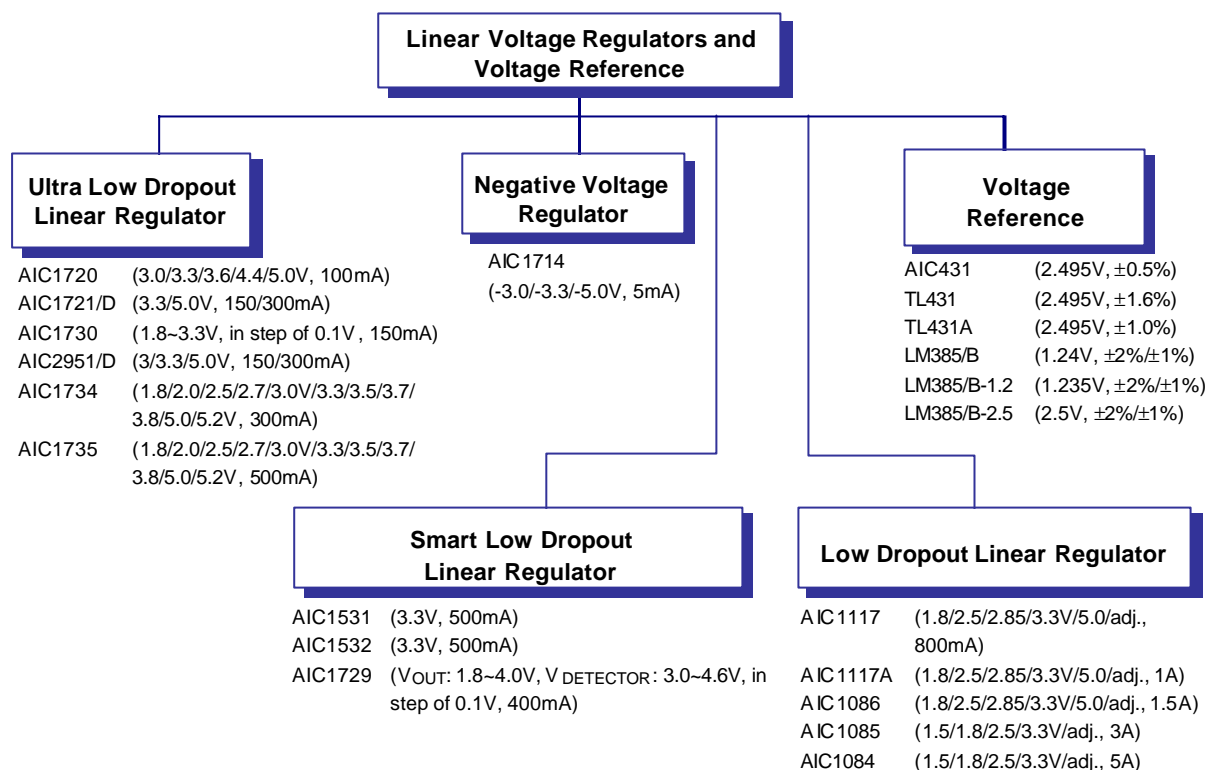
Universal AC/DC Converter

Part No.	Input Volt. Range (V)	Output Volt. (V)	Quiescent Current	Shutdown Current (mA)	Freq. (KHz)	Eff. (%) (max.)	Package	Feature
AIC3842	16~30	adj.	12mA	-	~500	-	SO8, DIP8	c,d,e,f,g h
AIC3843	8.4~30	adj.	12mA	-	~500	-	SO8, DIP8	c,d,e,f,g h

Features:

- | | | | |
|--------------------------|---------------------------------|-----------------------------|-------------------------|
| a: Internal Switch | b: On Chip Low Battery Detector | c: External Switch Driver | d: Frequency Adjustable |
| e: Current Limit | f: Duty Cycle Adjustable | g: Current Sense Comparator | h: Voltage Reference |
| i: Synchronous Rectifier | | | |

LINEAR VOLTAGE REGULATOR AND VOLTAGE REFERENCE



Part No.	Input Voltage max. (V)	Output Voltage (V)	Output Current (mA)	Output Voltage Accuracy	Package
● Negative Voltage Regulator					
AIC1714	-12.5	-3.0/-3.3/-5.0	5	±1.5%	SOT89, TO92
● Ultra Low Dropout Linear Regulator					
AIC1720	14	3.0/3.3/3.6/4.4/5.0	100	±4%	SOT89, SO8, TO92
AIC1721/D	12	3.3/5.0	150/300	±1%	SOT89, TO92
AIC1730	12	1.8~3.3V, in step of 0.1V	150	±2%	SOT23-5, SOT-23-6W
AIC2951/D	12	3/3.3/5	150/300	±1%	SO8, DIP8
AIC1734	12	1.8/2.0/2.5/2.7/3.0/3.3/3.5/3.7/3.8/5.0/5.2	300	±2%	SOT89, TO92
AIC1735	12	1.8/2.0/2.5/2.7/3.0/3.3/3.5/3.7/3.8/5.0/5.2	500	±2%	SOT223, TO252
● Low Dropout Linear Regulator					
AIC1117	7	1.8/2.5/2.85/3.3/5.0/adj.	800	±1%	TO252, TO220, SOT223, TO263
AIC1117A	7	1.8/2.5/2.85/3.3/5.0/adj.	1A	±1%	TO252, TO220, SOT223, TO263
AIC1086	7	1.8/2.5/2.85/3.3/5.0/adj.	1.5A	±1%	TO220, SOT223, TO263, TO252
AIC1085	7	1.5/1.8/2.5/3.3/adj.	3A	±1%	TO220, TO252, TO263
AIC1084	7	1.5/1.8/2.5/3.3/adj.	5A	±1%	TO220, TO252, TO263

● Smart Low Dropout Linear Regulator

Part No.	Input Voltage max. (V)	Output Voltage (V)	Output Current (mA)	Output Voltage Accuracy	Package	Feature
AIC1729	8	1.8~4.0V, in step of 0.1V	400	±2%	SO-8, DIP8	*
AIC1531	7	3.3	500	±5%	SO-8, DIP8	*
AIC1532	7	3.3	External	±5%	SO-8, DIP8	*

* Feature- AIC1729: Dual Output with Voltage Detector

AIC1531/1532: Prioritized Input Source (V_{CC} , V_{SBY} , V_{AUX}) to meet IAPC

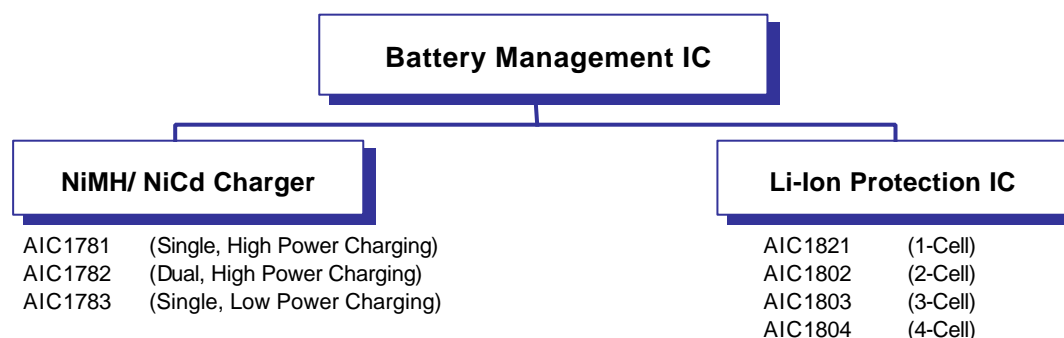
Part No.	Input Voltage max. (V)	Output Voltage (V)	Output Current (mA)	Output Voltage Accuracy	Package
----------	------------------------	--------------------	---------------------	-------------------------	---------

● Voltage Reference

Part No.	Input Voltage max. (V)	Output Voltage (V)	Output Current (mA)	Output Voltage Accuracy	Package
AIC431	30	2.495/adj.	190 μ A~200mA	±0.5%	SO8, SOT23, SOT89, TO92
TL431A	30	2.495/adj.	190 μ A~200mA	±1.0%	SO8, SOT23, SOT89, TO92
TL431	30	2.495/adj.	190 μ A~200mA	±1.6%	SO8, SOT23, SOT89, TO92
LM385/B	6.5	1.24/adj.	10 μ A~20mA	±2% / ±1%	SO8, SOT89, TO92
LM385/B-1.2	6.5	1.235	10 μ A~20mA	±2% / ±1%	SO8, SOT89, TO92
LM385/B-2.5	6.5	2.5	10 μ A~20mA	±2% / ±1%	SO8, SOT89, TO92

II. POWER MANAGEMENT

■ BATTERY MANAGEMENT IC



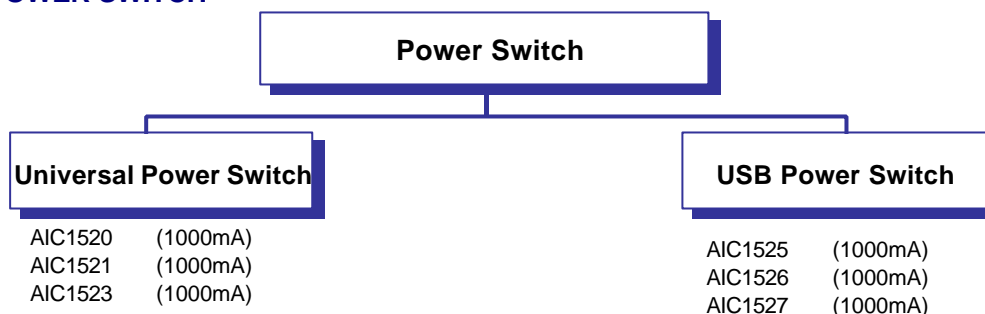
● NiMH/ NiCd Battery Charger

Part No.	Charging Set	Discharge Function	-dV Cutoff	0dV Cutoff	DT/Dt Cutoff	Safety Timer Cutoff	Max. Voltage Cutoff	Max. Temp. Cutoff	Package
AIC1781	Single	2 types	Yes	3 modes (1.5, 3.7, 6%)	Yes	Yes	Yes	Yes	SO16, DIP16
AIC1782	Dual	2 types	Yes	3 modes (1.5, 3.7, 6%)	Yes	Yes	Yes	Yes	SO20, DIP20
AIC1783	Single	--	Yes	1 mode (6%)	No	Yes	Yes	No	SO8, DIP8

● Li-Ion Battery Protection IC

Part No.	Input Volt. Range (V)	Quiescent Current (mA)	Power-Off Current (mA)	Overdischarge Protection	Overcurrent Protection	Overcharge Protection	Package
AIC1821	2~18	7	0.2	Yes	Yes	Yes, ±50mV	SOT23-5
AIC1802	2~18	10	0.2	Yes	Yes	Yes, ±30mV	SO8
AIC1803	2~18	13	1.3	Yes	Yes	Yes, ±30mV	SO16
AIC1804	2~18	17	2.2	Yes	Yes	Yes, ±30mV	SO16

POWER SWITCH



● Universal Power Switch

Part No.	Supply Voltage max. (V)	RDS(ON) mW	Channel No.	Current Limit (mA)	External Control	UVLO	Package
AIC1520	7	120	1	1000	N	Y	SOT89, TO92
AIC1521	7	120	1	1000	Y	Y	SO8, MSOP8
AIC1523	7	120	1	1000	Y	N	SO8, MSOP8

● USB Power Switch

Part No.	Supply Voltage max. (V)	RDS(ON) mW	Channel No.	Current Limit (mA)	Package
AIC1525	7	70	1	1000	DIP8, SO8
AIC1526	7	110	2	1000	DIP8, SO8
AIC1527	7	110	4	1000	DIP16, SO16

HIGH CURRENT DRIVER

Part No.	Supply Voltage max. (V)	Input Voltage max. (V)	Output Voltage max. (V)	Channel No.	Output Current (mA)	Package
AIC2003	-	30	35	7	700	DIP18
AIC2803	-	30	50	8	500	DIP18
LB1268	8	12	10	3	1000	DIP8

SUPERVISORY IC

Part No.	Supply Voltage max. (V)	Supply Current max (mA)	Detecting Voltage Accuracy	Detector Threshold Hysteresis	Output Delay Time Max. (mS)	Package
AIC1680	10	4.8	±2.5%	5%	200	TO92, SOT23, SOT23-5, SOT89

Part No.	Supply Voltage max. (V)	OVP	Power Good Indicator	Power Fail Indicator	Voltage Reference	Package
AIC1686	16	3.3/5/12V	-	-	-	DIP16

III. OTHERS

IR PREAMPLIFIER

Part No.	Supply Voltage max. (V)	Input Voltage max. (V)	Voltage Gain (dB)	Supply Current (mA)	Package
AIC1863	5.5	5Vp-p	81	0.55	SO8, DICE

