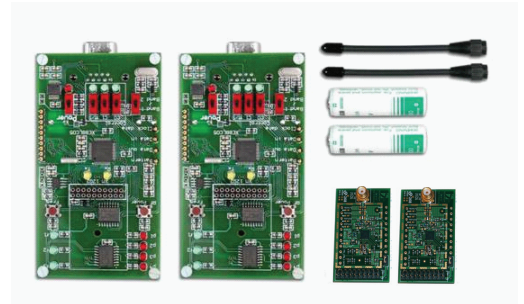


Starter Kit Brief



SEMTECH ADVANCED COMMUNICATIONS & SENSING



ISM Starter Kits

for SX1211, SX1223, XE1203, XE1205

General Description:

The Semtech ISM Starter Kits are transceiver development and evaluation platforms. The kits perform practical “demonstration”, “range” and “site survey” testing to demonstrate a two-way communication between two radio boards and also evaluate the RF transceiver.

The Starter Kit performs basic functions of data link communication including access to all device registers and programming such as modulation schemes selection (FSK / OOK), configuration in the transmitter, receiver or sleep modes. Also featured are frequency deviation selection, filter bandwidth and output power management.

Each Starter Kit covers the basic setup and operation for the environment necessary for each of the devices listed in the ordering table.

The Starter Kit allows you to:

- Demonstrate two-way communication - Ping Pong Demo with a default configuration
- Change the settings of the Ping Pong Demo
- Configure internal registers of each transceiver for evaluation purposes
- Transmit and receive a data stream

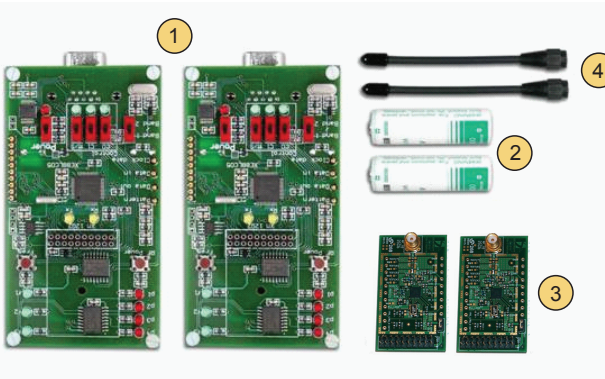
Key Product Features:

Each starter kit contains the following information:

- General Introduction
- Overview and Installation
- Tutorial
- Functional Overview
- Test and Evaluation
- Advanced Features
- Troubleshooting

Starter Kit Brief

Starter Kit Components



Starter kit contents:

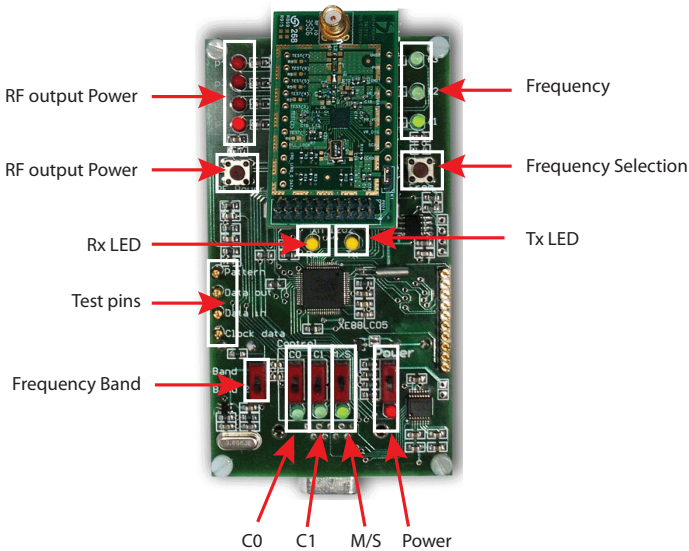
- 1) Carrier Interface boards + RS-232 cable x2
 - 2) Batteries for the Carrier boards x2
 - 3) Radio module with DIN-20 pin connector x2
 - 4) Connectorized antennas x2
- * CD manual included in the package.

PC-GUI consists of a single fixed screen. The screen is presented to easily allow the user to manipulate the SX12xx radio modules at the binary level. The PC-GUI screen is divided into seven primary areas as shown in the diagram below.

Note: The actual PC-GUI presentation may differ as new features and updates are added to PC-GUI software.

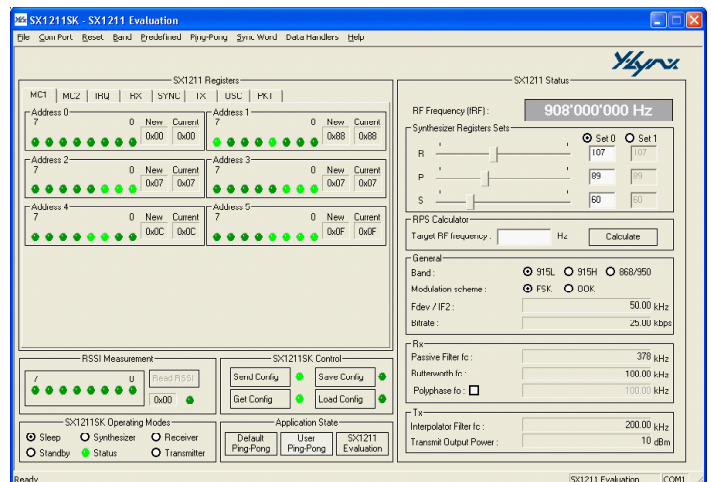
A brief description is:

- Main Menu Bar with pre-defined configuration information
- SX12xx Registers presentation and set-up window
- Real time display window of register values (New and Current value)
- SX12xx Operating Mode and set-up window
- SX12xx Status display
- SX12xxSK Control window
- Selection of the Application



Ordering Information

Part #	Starter Kit Order #	Description
SX1211	SX1211SK868	SX1211 Starter Kit 868Mhz
	SX1211SK915	SX1211 Starter Kit 915Mhz
SX1223	SX1223SK433	SX1223 Starter Kit 433Mhz
	SX1223SK868	SX1223 Starter Kit 868Mhz
	SX1223SK915	SX1223 Starter Kit 915Mhz
XE1203	XE1203SKC433XE2	XE1203 Starter Kit 433Mhz
	XE1203SKC868XE2	XE1203 Starter Kit 868Mhz
	XE1203SKC915XE2	XE1203 Starter Kit 915Mhz
XE1205	XE1205SKC433XE1	XE1205 Starter Kit 433Mhz
	XE1205SKC868XE1	XE1205 Starter Kit 868Mhz
	XE1205SKC915XE1	XE1205 Starter Kit 915Mhz



Visit our website to locate the most current product specifications, datasheets and contact information for your local Semtech Field Applications Engineer.