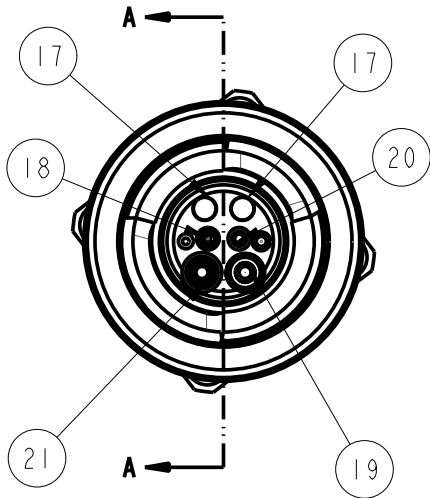
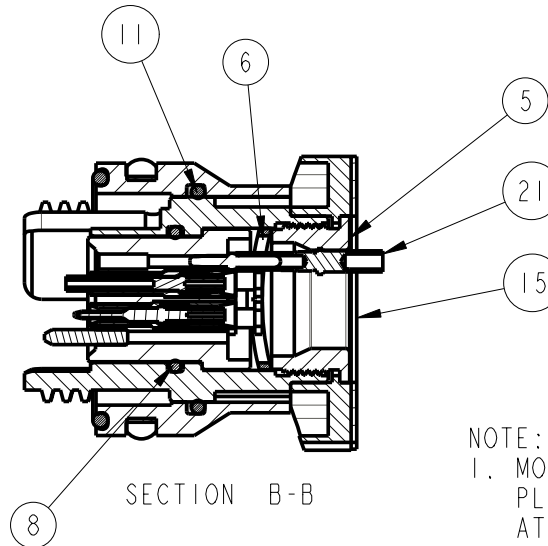
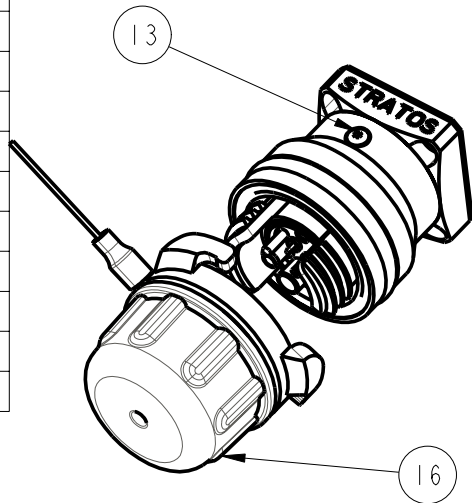
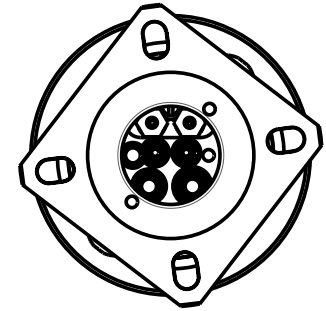
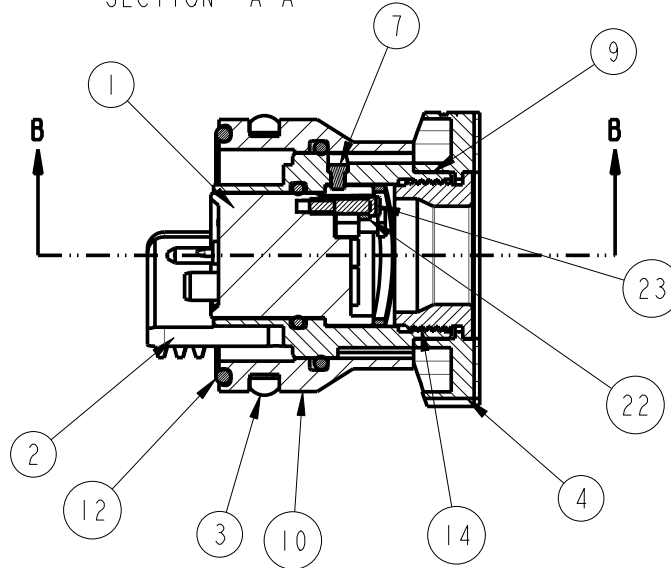


ITEM No	PART No
1	IAS06345
2	HOU06367
3	MPP06364-04
4	HOU06368
5	NUT06369
6	SPR03953
7	PIN02049
8	ORI01959
9	ADH06389-NS
10	HOU06371
11	ORI06370
12	ORI01985
13	SCR06373
14	ADH05472-NS
15	SEA06374
16	CAP06881
17	FAS06343
18	ACC06351
19	ACC06352
20	ACC06694
21	ACC06354
22	WAS06355
23	SCR06356
24	SCR03108
25	PAC01997



SECTION A-A



SECTION B-B

NOTE:  
1. MOUNTING SCREWS (SCR03108) TO BE PLACED INTO BAG (PAC01997) AND ATTACHED TO LANYARD.

CAD MASTER. ALL PRINTED COPIES ARE UNCONTROLLED

ISSUE NO.	1	2	3	4
DATE	21/04/06	02/05/06	05/07/06	04/12/06
C. NOTE NO.	ERA1272	ERA1751	ERA1849	ERA2022
CHECKED	BH	BH	BH	BH
APPROVED	CW	GGW	GGW	MEH

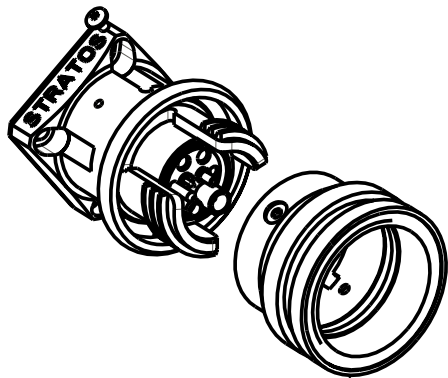
**Stratos Limited** © 2006  
 Hollands Road Industrial Estate  
 Haverhill, Suffolk CB9 8PR  
 Tel: +44 (0) 1440 706441 Fax: +44 (0) 1440 762044  
 www.stratoslightwave.com

SHEET 1 OF 2  
**CONFIDENTIAL DOCUMENT**  
 This document and its contents are issued in strict confidence. Neither the whole or any part may be disclosed or copied without written permission.  
 THIRD ANGLE PROJECTION

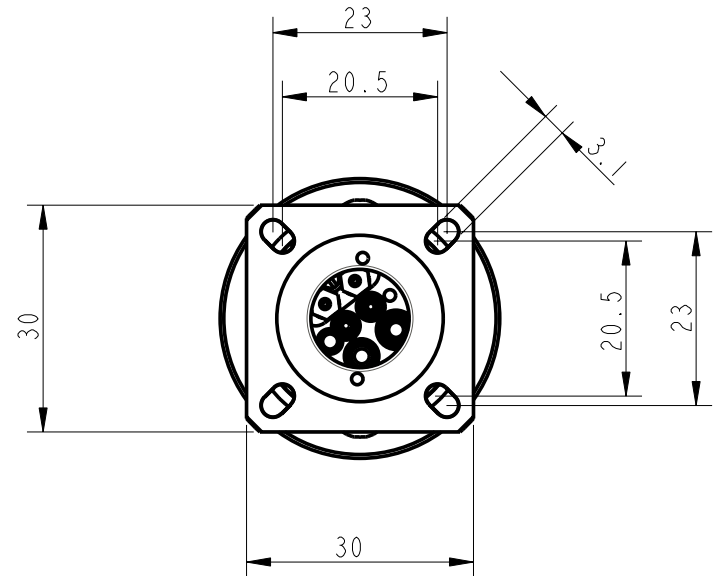
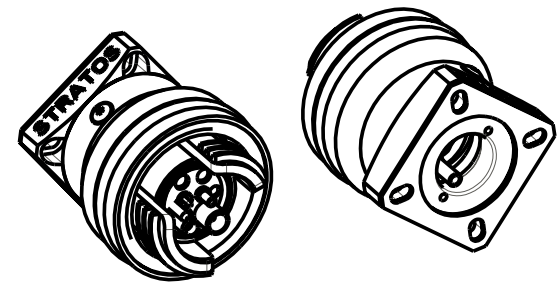
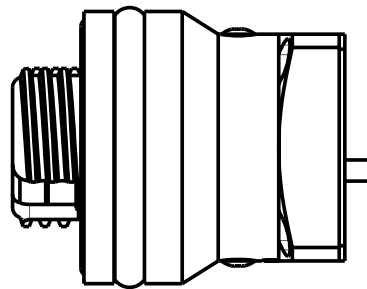
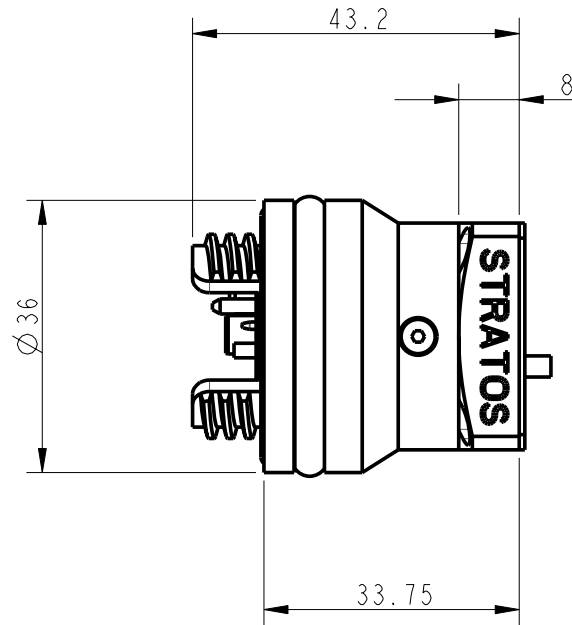
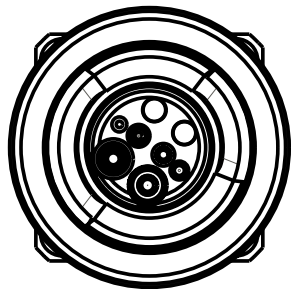
DRAWN	MATERIAL	FINISH	UNLESS OTHERWISE STATED:
GGW	SEE BOM	CLEAN	TOLERANCES ± 0.1
SCALE: N.T.S.	PARTS TO BE COMPLIANT WITH EU DIRECTIVE (ROHS)2002/95/EC	REMOVE ALL BURRS & SHARP EDGES.	SURFACE FINISH 1.6 um
			DIMENSIONS IN mm

TITLE  
**HX1080 2+2+2 HYBRID S/M BULKHEAD ASSEMBLY**

DRAWING NUMBER  
**CON06366**  
 (DRAWING PREVIOUSLY TL3466)



FRONT CONE CAN BE REMOVED FOR ACCESS TO FLANGE SCREWS



CAD MASTER. ALL PRINTED COPIES ARE UNCONTROLLED

ISSUE NO.	1	2	3	4				
DATE	21/04/06	02/05/06	05/07/06	04/12/06				
C. NOTE NO.	ERA1272	ERA1751	ERA1849	ERA2022				
CHECKED	BH	BH	BH	BH				
APPROVED	CW	GGW	GGW	MEH				
DRAWN	GGW		FINISH		UNLESS OTHERWISE STATED: TOLERANCES ± 0.1 SURFACE FINISH 1.6 µm DIMENSIONS IN mm			
SCALE:	SEE BOM		CLEAN		TITLE HX1080 2+2+2 HYBRID S/M BULKHEAD ASSEMBLY			
N.T.S.	PARTS TO BE COMPLIANT WITH EU DIRECTIVE (ROHS)2002/95/EC		REMOVE ALL BURRS & SHARP EDGES.					

**Stratos Limited** © 2006  
 Hollands Road Industrial Estate  
 Haverhill, Suffolk CB9 8PR  
 Tel: +44 (0) 1440 706441 Fax: +44 (0) 1440 762044  
 www.stratoslightwave.com

SHEET 1 OF 2  
**CONFIDENTIAL DOCUMENT**  
 This document and its contents are issued in strict confidence. Neither the whole or any part may be disclosed or copied without written permission.



DRAWING NUMBER  
**CON06366**  
 (DRAWING PREVIOUSLY TL3466)