

Hx1080 Series



The Emerson Network Power Connectivity Solutions HX-1080 Series HD & SD TV non-contact connectors. These Hybrid fiber/electrical connectors are backed by more than 25 years experience with expanded beam (EB) fiber connector technology and are already the performance bench-mark in military harsh environment tactical applications where reliability and consistent field performance are a given.

In support of the deployment of HDTV and progressing from the limitations of legacy fiber contacting connector interfaces, Stratos has drawn on its unique experience for the development of the HX-1080 Broadcast Series. With world leading single mode EB optical performance using protected lensed fibers, the Stratos HX-1080 is designed to meet and exceed the generic requirements of the SMPTE specifications. On cameras at Studio or OB locations, Stratos HX-1080 Series connectors provide a solution that will work first time and every time. Offering unrivalled performance and versatility with low cost de-skilled field re-instatement solutions, and World-Wide support to HX-1080 are now set to become the new bench-mark for hybrid connectors in the challenging Broadcast environment.

Key Features & Benefits

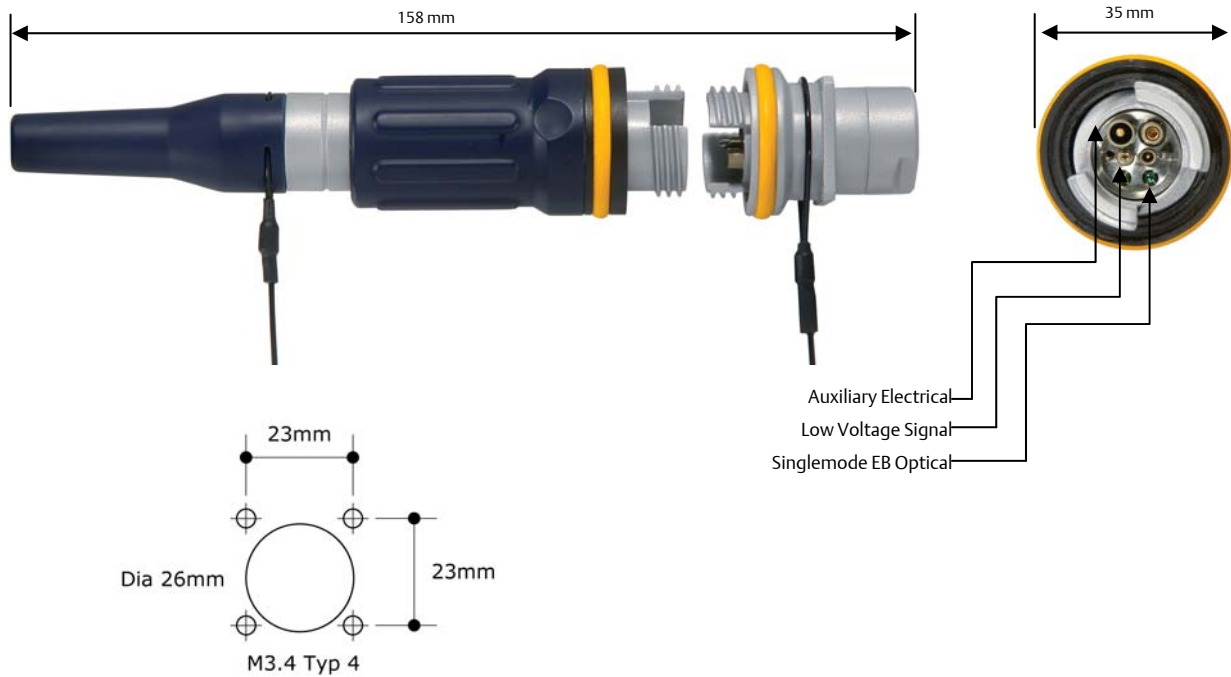
- Rugged Hermaphroditic
- Adapter Free Deployment
- SMPTE Compatible
- Flexible Install Options
- Field Re-instatement Solutions
- Ergonomic Design
- High Performance
- Easy Clean Interface
- Non-contact Optics
- High Reliability/Durability
- IP 67 Sealing
- Worldwide Support

All dimensions are in mm

Top Left: HX-1080 Plug and bulkhead assembly showing blind mate thumb feature and interchangeable color identification system.

Bottom Left: HX-1080 Bulkhead Panel mount detail

Top Right: Opto-electrical Pin-out configuration



Technical Specifications

Performance	
Operating Temperature	-40 to +85°C
Storage Temperature	-55 to +85°C
Tensile Strength	Tensile of 1000N, cable dependent
Endurance	>2000 mating cycles
Crush Resistance	>3000N
Free Fall	500 onto concrete from 1.2m